



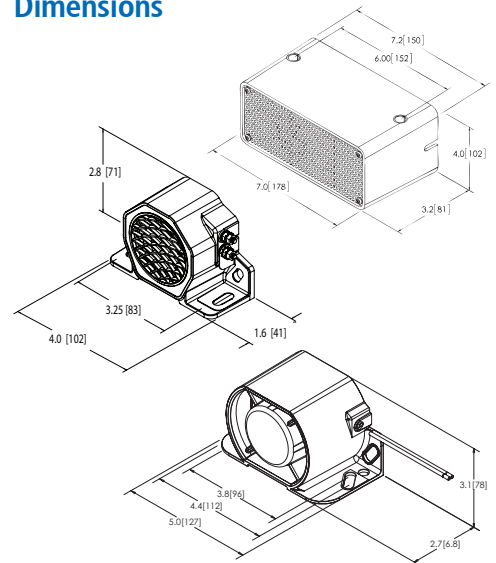
ALARMS






Multi-Frequency Series Reversing Alarms

The Multi-Frequency back-up alarm provides a solution to potential noise pollution created by conventional back-up alarms in confined or densely populated work areas. The Multi-Frequency alarm maintains a safe warning signal for those in the danger zone of backing vehicles while minimising disturbance to work site neighbours. The Multi-Frequency alarm operates by emitting sound at multiple frequencies attenuated above 4000Hz. In addition, driver technology used in the EA6100, EA7020, EA7070, EA9070, EA9724, and EA9780 models extends the life expectancy of the alarm, so much so, that a life of the vehicle warranty is offered.

Dimensions



Models

PART NO.	VDC	dB(A)	AMPS	APPROVALS	CONNECTION
EA5050	12-24	87	0.34	SAE Type D, R10, AMECA	2-16 AWG
EA5200	12-24	97	1.0	SAE Type C, R10, AMECA	2-16 AWG
EA5820	12-24	82	0.2	SAE Type F, R10	2-16 AWG
EA5920	12-24	92	0.5	SAE Type F, R10	2-16 AWG
EA6100	12-24	97	0.7	SAE Type C, R10	2-16 AWG
EA7020	12-24	102	0.6	SAE Type F, R10, AMECA, IP66	2-18 AWG
EA7070	12-24	107	0.8	SAE Type B, R10, AMECA, IP66	2-18 AWG
EA9070 	12-24	87-107	0.9	SAE Type F, R10, AMECA, IP66	2-18 AWG
EA9724 	12-24	77-97	0.7	SAE Type F, R10, AMECA	2-18 AWG
EA9780 	36-80	77-97	0.8	SAE Type F, R10	2-18 AWG

Alarm Specifications

Reinforced nylon housing

Recommended mounting bolt: 1/4" Grade 5 (5050, 5200, 5820 & 5920), 3/8" Grade 5 (6100, 7020, 7070, 9070, 9724 & 9780)

Recommended washer: 1/4" Type A, Series A or W (5050, 5200, 5820 & 5920), 3/8" Type A, Series N or W (6100, 7020, 7070, 9070, 9724 & 9780)

Recommended mounting torque: 276 in. lbs. (6100, 7020, 7070, 9070, 9724 & 9780)

Recommended mounting torque: 76 in. lbs. (5050, 5200, 5820 & 5920)

Features and Benefits

- Emits sound at multiple frequencies attenuated above 4000Hz
- Warning signal is more directional and perceived to dissipate quicker than pure tone
- Sealed in epoxy for protection against dust, moisture, and vibration
- Temperature Range: -40°C to +85°C