

SCORPIUS GO 420

Our entry-level Scorpius GO 420 is easy to use. It is lighter in weight than the original Scorpius work light, and the light pattern options are three: flood, wide flood and high beam. Useful in construction, forestry, agriculture, and material handling, the Scorpius GO product family has a square form factor and pedestal mounting. The Scorpius GO 420 produces zero emissions (EMC CISPR 25 class 5) and its light output is 1800 lumens.



Not all products are available in all markets. During continuous improvement specifications and design are changing. All values are nominal values. Illustrations do not necessarily show the design of every version and some features are version specific. The lumens output varies depending on lens colour.

TECHNICAL DATA

Theoretical Lumens Output	2800 lm	Vibration	8Grms 24-2000Hz
Operational Lumens Output	1800 lm	Lens	Grilamid® (registered trademark of EMS-GRIVORY)
Colour Temperature	5000 K	Body / Housing	Aluminium
Nominal Voltage DC	12 - 24 V	Weight	0.6 kg
Input Voltage DC	9 - 16 V 18 - 32 V	IP Rating	IP68, IP6K9K
Power Consumption	28 W	Salt Spray Test	ISO 9227 240H
Nominal Current at	24V=1.00A, 12V=1.80A	EMC	CISPR 25 Class 5, EN12895, ISO 13766, ISO 14982, ISO 7637-2
Connector	Built-in Deutsch DT-2 (2-pin)	Operating Temperatures	-40°C... +85°C (Overheat protected)
Mount	Single Bolt M8	Electronics	Isolated
Shock	60G	Part Numbers	High Beam: 988-297B, Flood: 988-203B, Wide Flood: 988-204B

CONNECTORS



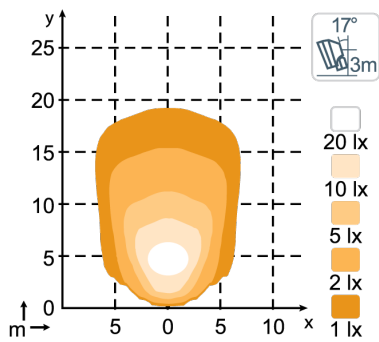
Built-in Deutsch DT-2 (2-pin)

KEY FEATURES

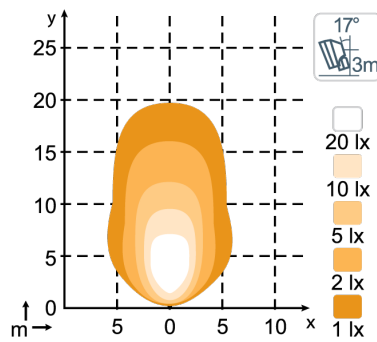
- Dimmable & Cost-effective all-rounder
- Operational lumens output: 1800lm
- Pure performance in a compact design

LIGHT PATTERNS

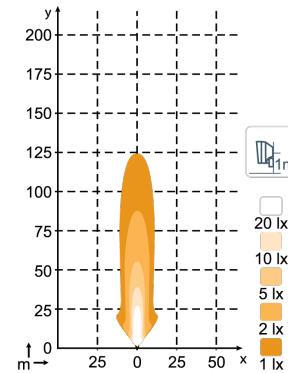
**Scorpius GO 420, 1800lm
Wide Flood**



**Scorpius GO 420, 1800lm
Flood**



**Scorpius GO 420, 1800lm
High Beam**



DRAWINGS

